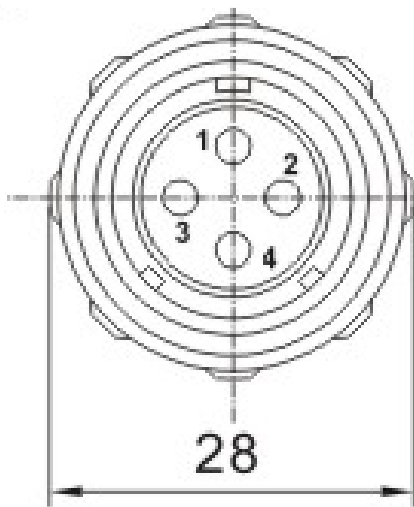


## Steckerbelegung / *connector assignment*



PIN 1: rot / *red*

PIN 2: grün / *green*

PIN 3: blau / *blue*

PIN 4: common